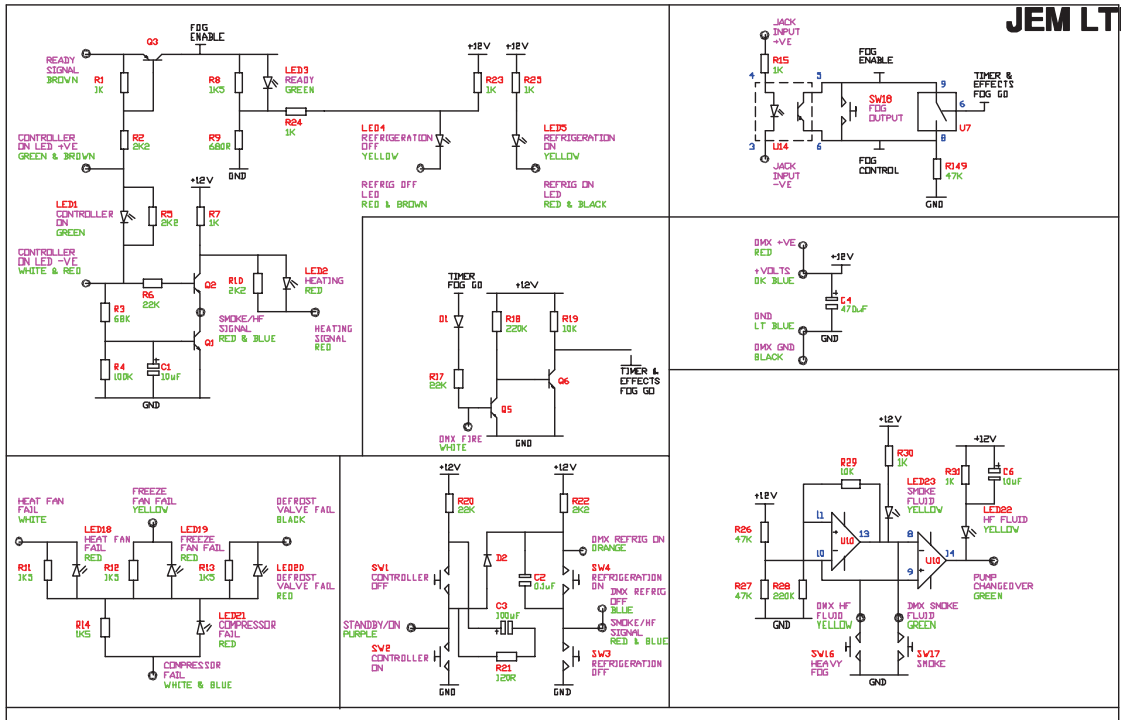
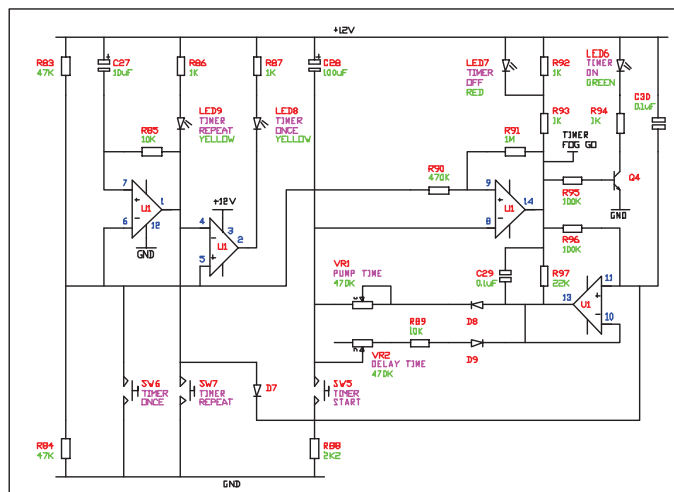


JEM LTD.



DRAWN BY: GPW DATE: 12,2,1997 TITLE: HF2500/HF1500 CONTROLLER - PART 1 DWG No: CPW06 REV.1

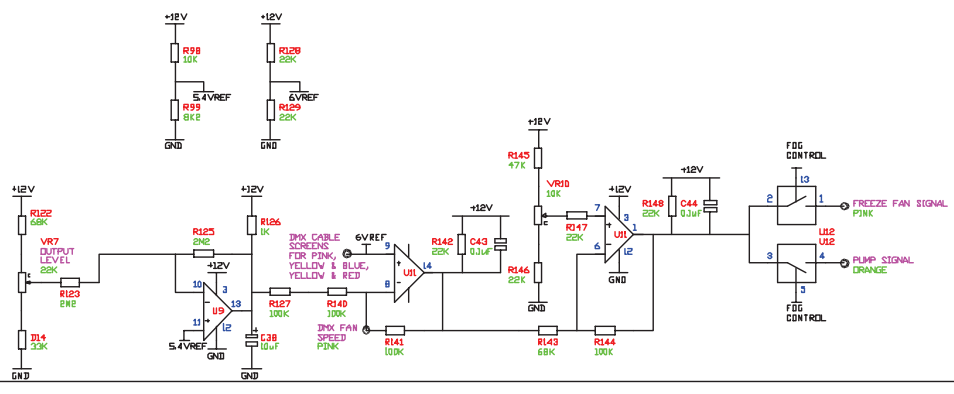
JEM LTD.



DRAWN BY:CPW

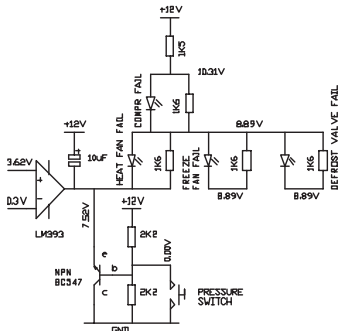
DATE:28,2,1997 TITLE:HF2500/HF1500 CONTROLLER - PART2

DWG No:CPW06REV.

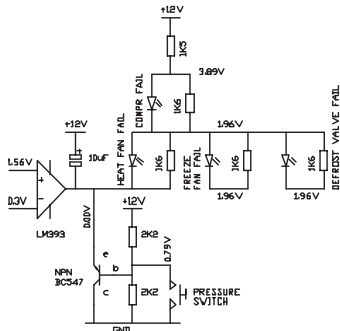


JEM LTD.

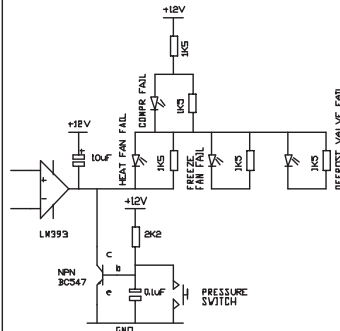
HF6500
SWITCH
CLOSED
ALL LEADS OFF



HF6500
SWITCH
OPEN
HEAT FAN FAIL AND
COMPRESSOR FAIL LEADS ON



HF1500



DRAWN BWPW

DATE:

TITLE:

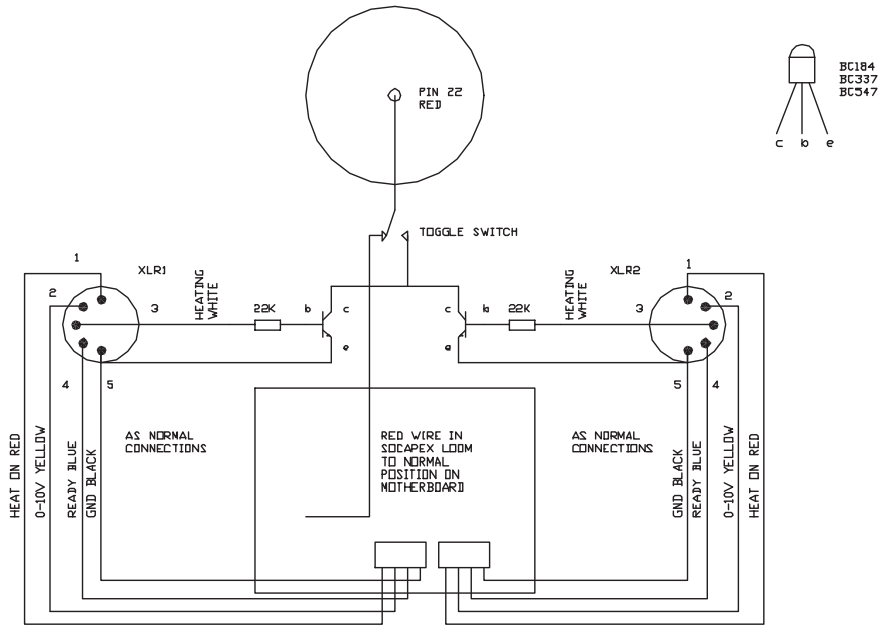
DWG No.

REV.

JEM LTD.

MODIFICATION OF HF1500

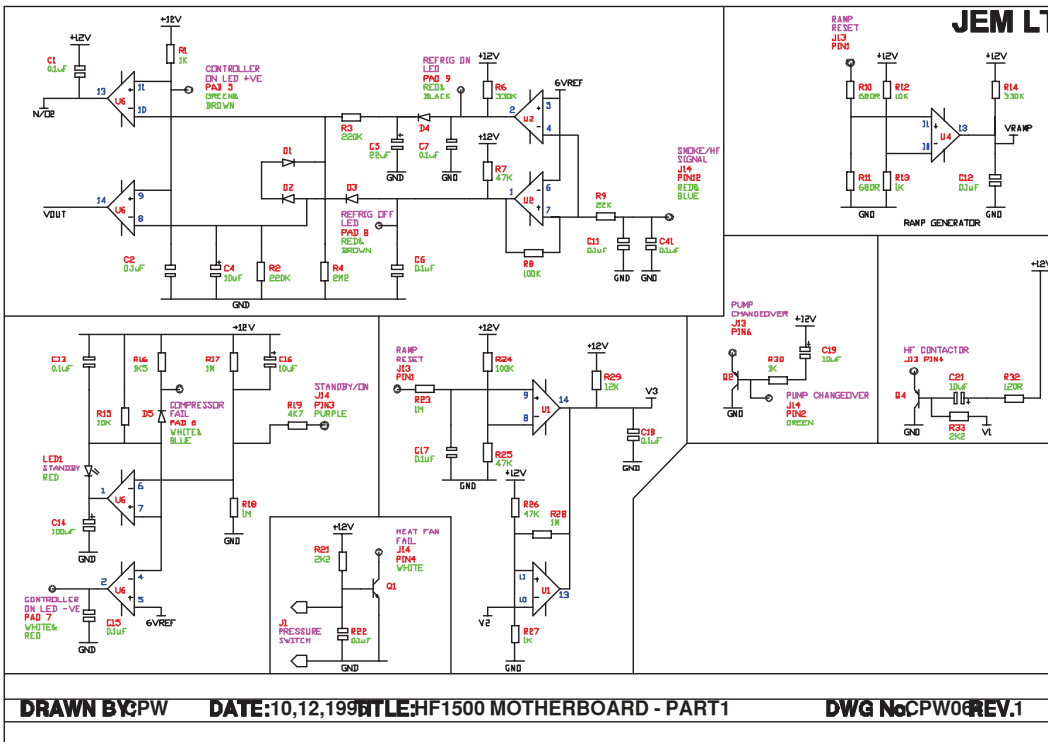
SDCAPEX CONNECTOR



DRAWN BY CPW

DATE: 6,12,1996 TITLE: HEATING LINE ON HF1500 MOTHERBOARD DWG No CPW04 REV.

JEM LTD.

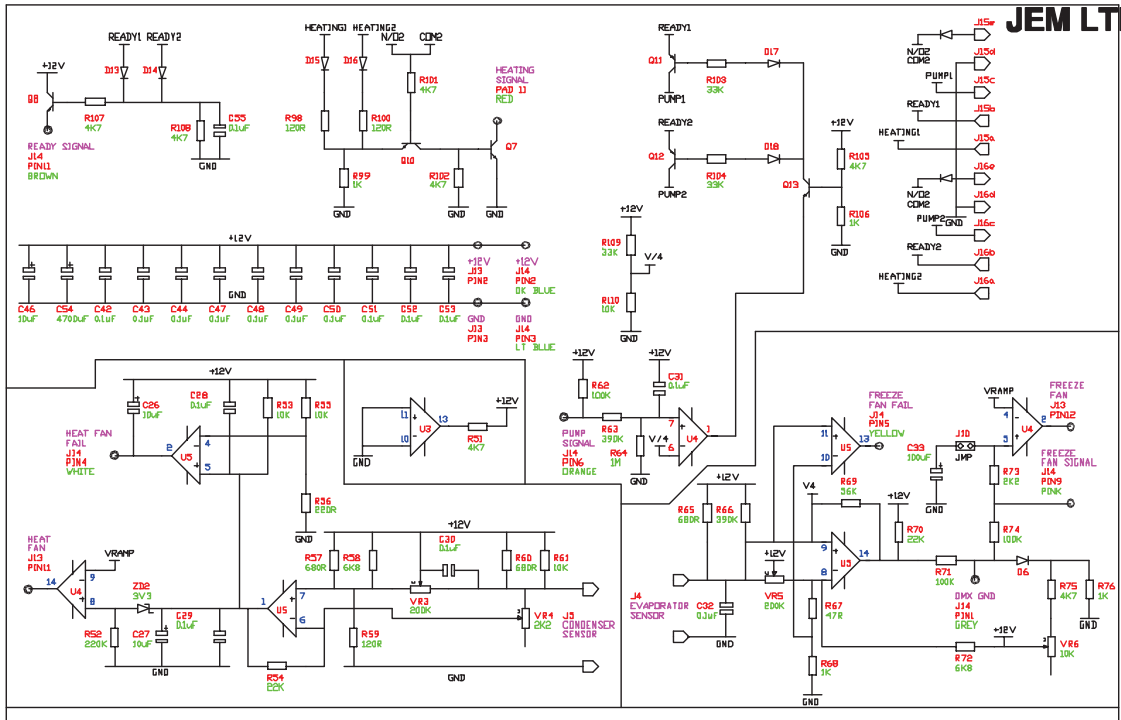


DRAWN BY: CPW

DATE: 10,12,1998 TITLE: HF1500 MOTHERBOARD - PART 1

DWG No: CPW00REV.1

JEM LTD.

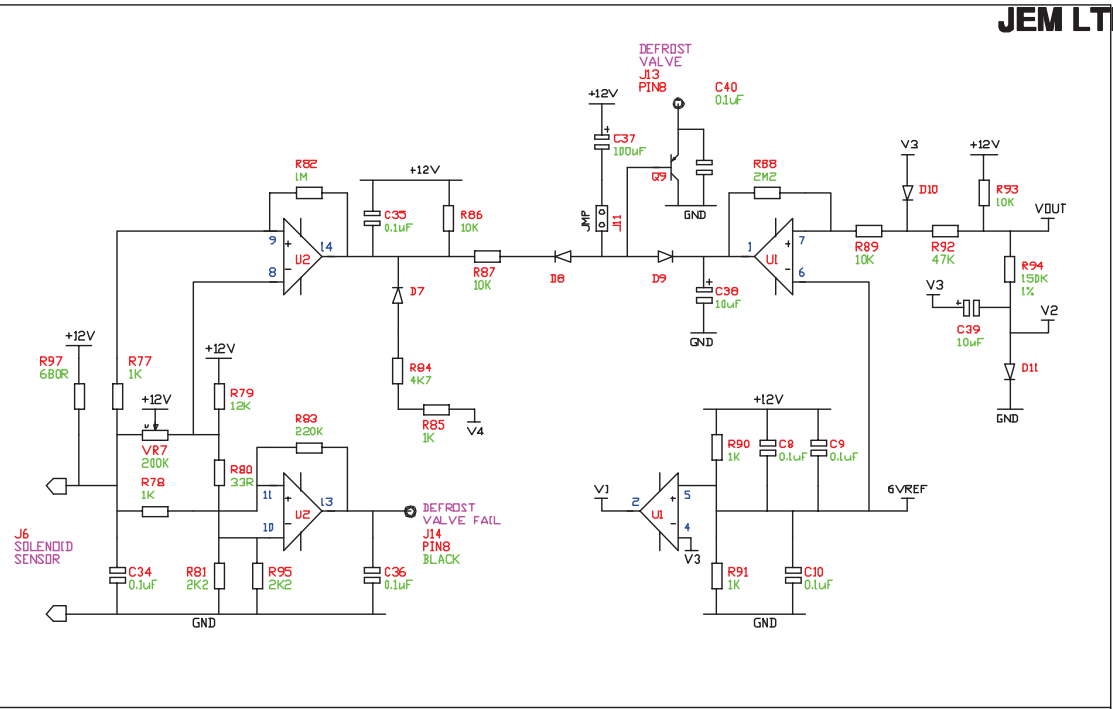


DRAWN BYPW

DATE: 0,12,1996 TITLE: JF1500 MOTHERBOARD - PART2

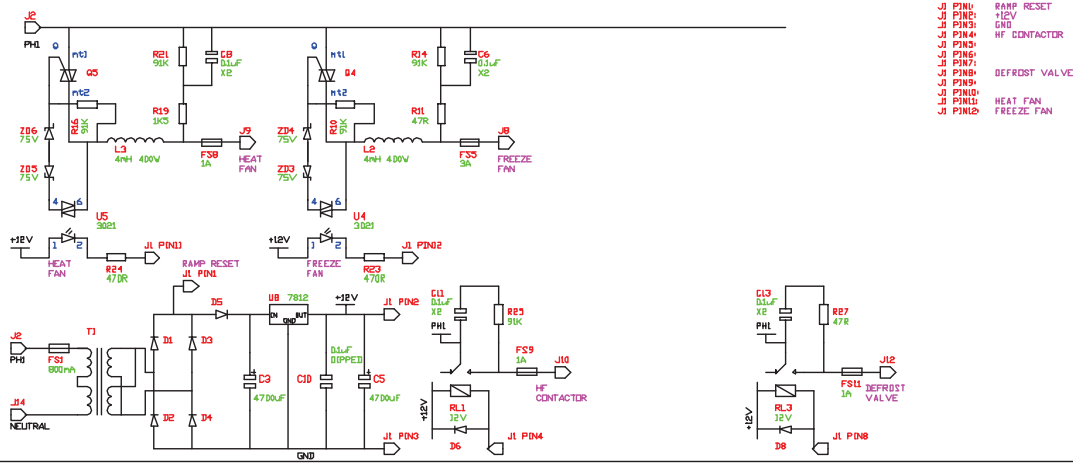
DWG N6PW065REV2

JEM LTD.



DRAWN BY: CPW DATE: 10,12,1996 TITLE: JF1500 MOTHERBOARD - PART3 DWG No: CPW06 REV: 1

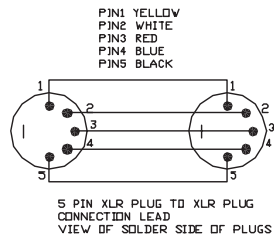
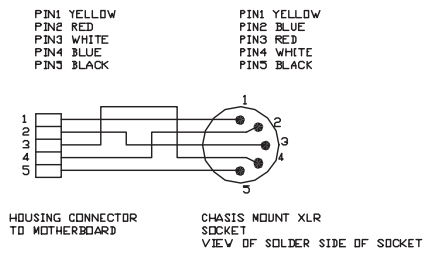
JEM LTD.



- J1 P1N1 RAMP RESET
- J1 P1N2 +12V
- J1 P1N3 GND
- J1 P1N4 HF CONTACTOR
- J1 P1N5
- J1 P1N6 DEFROST VALVE
- J1 P1N7
- J1 P1N8
- J1 P1N9 HEAT FAN
- J1 P1N10
- J1 P1N11 HEAT FAN
- J1 P1N12 FREEZE FAN

DRAWN BY PW DATE: 5,12,1996 TITLE: 1500 TRIGGERBOARD DWG NO: PW052REV.

JEM LTD.



DRAWN BY PW

DATE: 19,3,1997 **TITLE:** HF1500 MODIFICATION

DWG No.

REV.